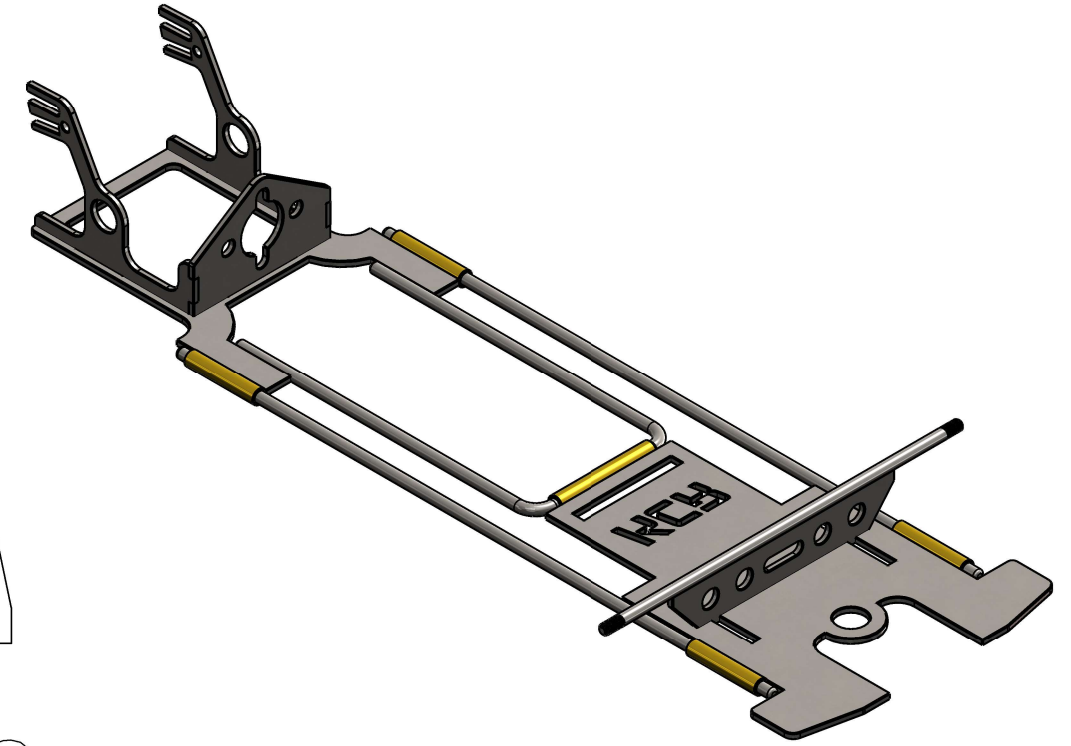
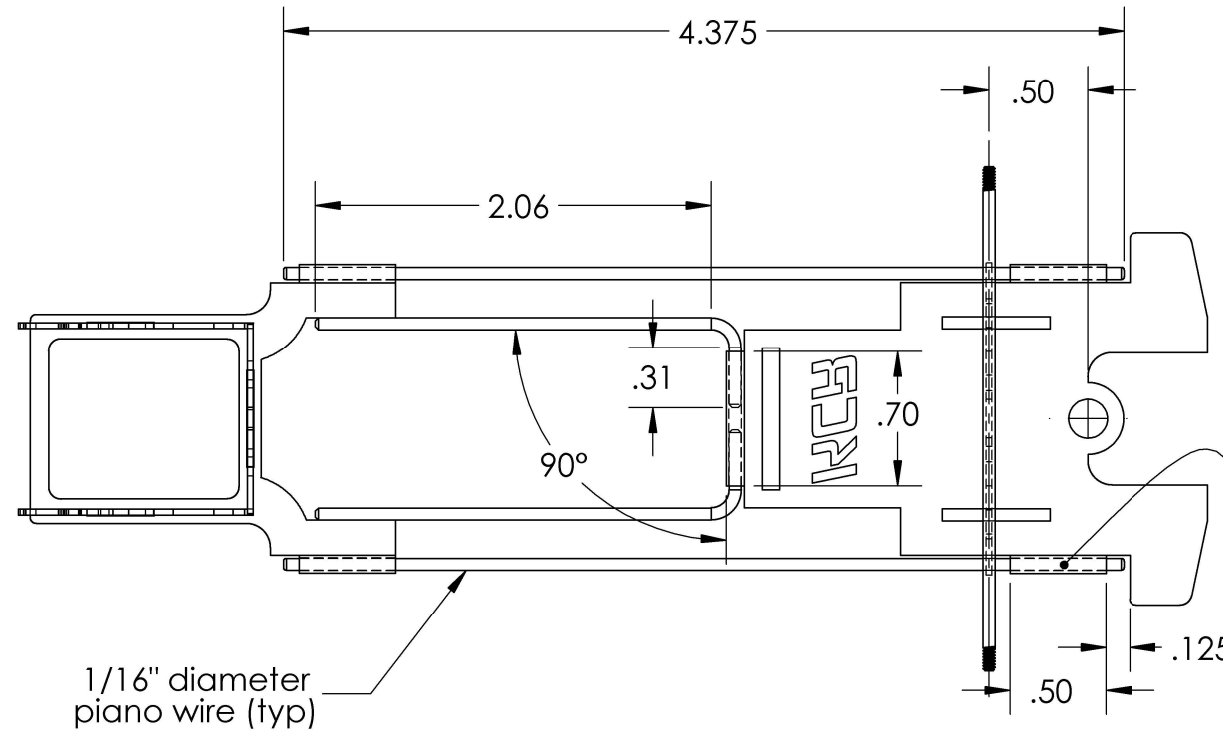
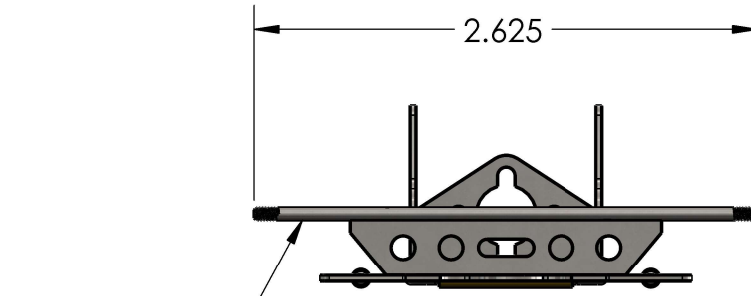
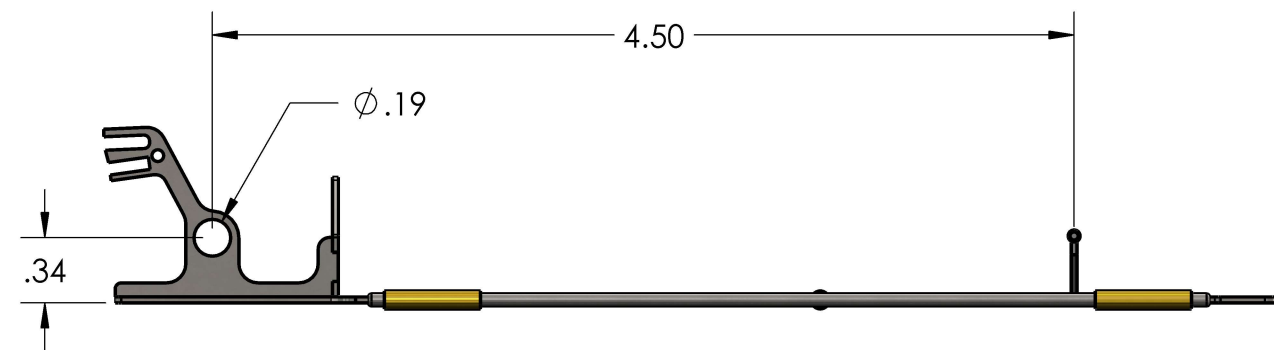
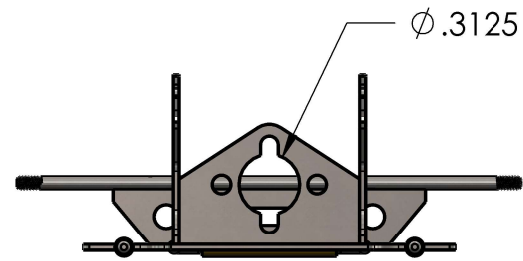


These dimensions are for a typical 1/24 model body and adjustments may be necessary to fit your body. Tubing and rods are customer supplied.



All tubing 3/32" OD x .014 wall (~1/16" ID) Brass Tubing (ref K&S #5126)



KC RACING
HUDSONVILLE, MI 49426

THIS PRINT IS PROVIDED ON A RESTRICTED BASIS AND IS NOT TO BE USED IN ANY MANNER DETRIMENTAL TO THE INTERESTS OF KC RACING

NAME
Typical Slip Joint Chassis Dimensions

DRAWN	KCL	DATE	1/28/23	APPROVED	
THIRD ANGLE PROJECTION	SIZE	NUMBER			
	B	KCR-2SS DIM			

SHEET
1 OF 1